

Submittal Data Sheet

Project Information

| | |
|---------------|----------------|
| Project _____ | Approval _____ |
|---------------|----------------|

Specification

The NFPA 99 compliant digital, fully automatic manifold shall be a Tri-Tech Medical *Genesys*TM series. No manual resetting of valves or levers shall be required. The unit shall switch from “Bank in Use” to “Reserve” bank without fluctuation in line delivery pressure. Simultaneously, the “Reserve in Use” alarm shall be triggered by the manifolds microprocessor. The manifold shall continue to provide gas, in the event of a power failure, until both banks are depleted. After the switchover, the “Reserve” bank shall then become the “Bank in Use”. The manifold microprocessor shall also trigger the “High Line Pressure” and “Low Line Pressure” alarms without the need for additional pressure switches or transducers. The manifold shall be capable of being upgraded after installation, to be used with low or medium pressure portable bulk vessels or for use at higher or lower delivery pressures.

The microprocessor based control panel shall incorporate LED’s and an illuminated text display and shall provide electronic monitoring of circuits with up to 20 error, alarm or information messages displayed for ease of maintenance. The illuminated text display shall be readable even in poor lighting conditions. Analog gauges are also provided so that line and both bank pressures may be observed in the event of a power failure. The control panel shall also incorporate a set of LED’s for each bank, green for “Bank in Use”, amber for “Ready” and red for “Empty”.

All manifold regulators, piping and control switching equipment shall be cleaned for use with oxygen service and installed in a steel powder coated cabinet (weatherproof version available) to provide protection and minimize tampering.



Model CCU12NO1W shown above

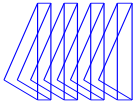
Features

- Line pressure sensor may be mounted inside the cabinet or remotely located to eliminate the need for a high/low pressure switch for master alarm operation.
- Electronic monitoring of circuits with up to 20 error, alarm or information messages.
- May be converted from high pressure cylinder use to use with low or medium pressure liquid portable bulk vessels.
- NFPA99 compliant models include 48-0023 ball valve.
- Optional single point relief valve vertical kit part no. 88-1075.
- Unit of measure switching (psi, kPa, BAR).
- Dual line pressure regulators
- Double “Z” brackets for one man installation.
- Cabinet weight 70 lbs.
- Input power 120 VAC, 50 to 60 Hz.

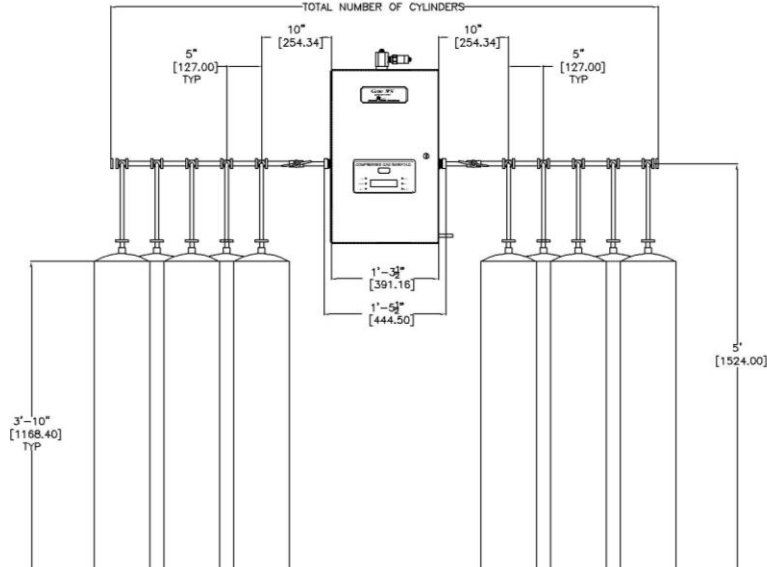
Flow Capacity

| Gas Service | Standard Line Regulators | High Capacity Line Regulators | Without Heaters | With Heaters |
|---------------------------------|-----------------------------|-------------------------------|-----------------------|-------------------------|
| Oxygen or Medical Air | 2,500 SCFH (1,180 l/min) | 4,500 SCFH (2,120 l/min) | N/A | N/A |
| Nitrous Oxide or Carbon Dioxide | X | N/A | 40 SCFH (19 l/min) | 500 SCFH (236 l/min) |
| Nitrogen | 3,000 SCFH (1,415 l/min) | 6,000 SCFH (2,830 l/min) | N/A | N/A |

Genesys is a registered trademark of Tri-Tech Medical. Patented.



Dimensional Drawing



| Design Lengths | Total Number of Cylinders | 4 | 6 | 8 | 10 | 12 | 16 | 20 |
|--|---------------------------|--------------------|--------------------|--------------------|--------------------|---------------------|--------------------------------|--------------------------------|
| STAGGERED DESIGN (5" CENTERS) OVERALL MANIFOLD LENGTH | | 4' - 6" (1.32m) | 5' - 4" (1.57m) | 6' - 2" (1.83m) | 7' - 0" (2.08m) | 7' - 10" (2.34m) | 9' - 6" (2.85m) | 11' - 2" (3.35m) |
| VERTICAL CROSSOVER (5" CENTERS) OVERALL MANIFOLD LENGTH | | 3' - 7" (1.10m) | N/A | 5' - 3" (1.60m) | N/A | 6' - 11" (2.11m) | Contact Tri-Tech Medical | Contact Tri-Tech Medical |

*See Separate Manifold Header Literature for Header Part Numbers

How to Order: Easy to use modular ordering system. Fill in the 7 blanks to specify the manifold that meets *your* needs.

| | | | |
|--|--|--|--|
| <p>Left Bank C = Cylinders</p> | <p>U.S.A. or Canada C = Canada U = U.S.A.</p> | <p>Final Line Regulation 1 = Single line regulator 2 = Dual line regulators</p> | <p>Delivery Pressure 1 = 50 psi 2 = 80 psi 3 = 170 psi 4 = 100 psi</p> |
| | | | |
| <p>Right Bank C = Cylinders</p> | <p>Cabinet Type 1 = Standard 2 = Weatherproof</p> | <p>Gas Service AI = Air / Medical Air CD = Carbon Dioxide HE = Helium HO = Hyperbaric Oxygen IA = Instrument Air NT = Nitrogen NO = Nitrous Oxide NX = N₂O-Oxygen Mixtures OC = Carbogen (CO₂ 7% max) OX = Oxygen TG = Tri-Gas AR = Argon</p> | <p>Flow & Heater Options L = Standard flow H = High flow W = With heaters (see chart on reverse side for flow capacities)</p> |

Example: CCU12OX1L = Cylinder x Cylinder *Genesys™* Manifold, Standard Cabinet, Dual Line Regulators, CGA 540 Oxygen service, 50 psi delivery, Standard flow. High/Low line pressure sensor with DISS union demand check is included with all units.

Genesys is a registered trademark of Tri-Tech Medical. Patented.